

MASTER STROKE SS-10

AUDIOPHILE SERIES.HIGH END SQ SUBWOOFER



STEG

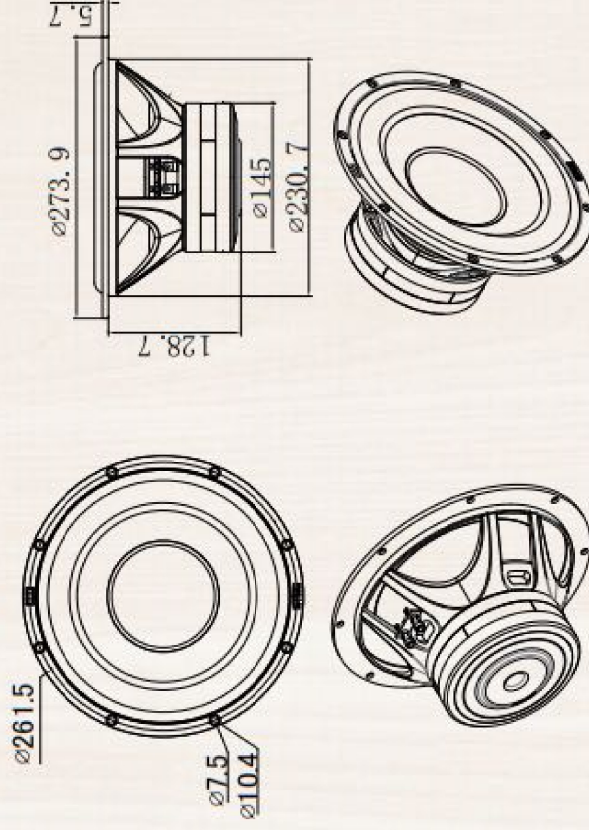
Italy

Specification

Speaker Size	10 inch
Impedance	Z 4Ω+4Ω
DC resistance	Re 2Ω+2Ω
Voice coil dimension	∅ 50mm
Voice coil inductance	Le 0,75 mH+0,75 mH
Voice coil former/VCF	GFB-B
Membrane material	PMI Foam
Magnet system	Ms Ferrite
Net weight	Lb 5.09kg
Transducer's suspension Qms	Qms 7.18
Transducer's suspension Qts	Qts 0,35
Motor strength	Bl 6.95
Centering device	Cd Konex
Suspension cone	Sc 65sh rubber
Resonance frequency	Fs 31 Hz
Frequency response	Fr 25Hz-2kHz
Efficiency 1 W /1 m	SPL 88 dB
Power rating/Hi-pass 1500hz	RMS 250W max.

Dimensions

All dimensions noted in mm



Recommended Frequency Cut: high pass up to 5.5kHz
The cuts and slopes refer to these data according to the applied power and the position of the speaker, so we can not set a reliable standard.

Radiation mass load	Mms	90gg
Force exerted suspension	Cms	0,29 mN
Volume air compressed	Vas	49 Ltr
Surface area cone	Sd	346 cmq
Maximum Linear Excursion	Xmax	22 pp mm

I prodotti STEG (www.gt-trading.it) sono costruiti e distribuiti da G.T. Trading di Siliato Salvatore, Via Guazzi N°5/C - Tavernelle di Serrungarina 61035 (PU), tel. +39 0721 715289, fax +39 0721 715289, Web www.gt-trading.it email : info@gt-trading.it

GT Trading